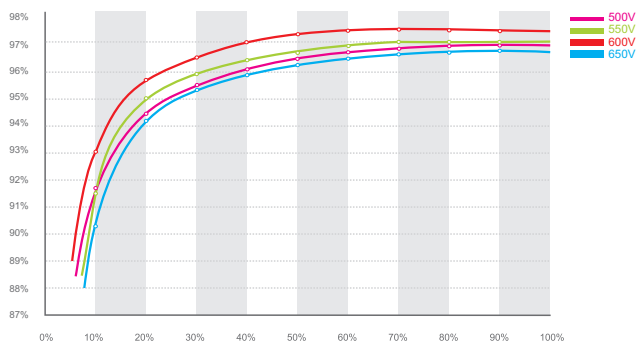


## Leading - edge Technology

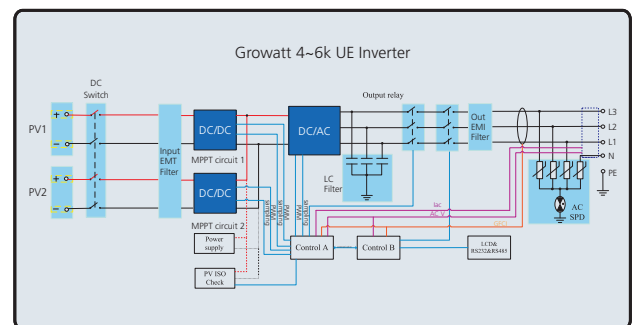
- ▶ DC input voltage up to 800V
- ▶ Maximum efficiency of 97.9%
- ▶ Internal DC switch
- ▶ Transformerless
- ▶ Compact design
- ▶ Multi MPP controller
- ▶ Ethernet / RF technology / WiFi
- ▶ Sound control
- ▶ Easy installation
- ▶ Comprehensive Growatt warranty program



Growatt 6000 UE efficiency



Growatt 4-6k UE topology



Datasheet	Growatt 4000UE	Growatt 5000UE	Growatt 6000UE
<b>Input Data</b>			
Max. DC power	4200W	5200W	6300W
Max DC voltage	800V	800V	800V
Start Voltage	150V	150V	150V
PV voltage range	140V - 800V	140V - 800V	140V - 800V
MPP voltage range / nominal voltage	200V - 800V / 580V	200V - 800V / 580V	200V - 800V / 580V
Full load DC voltage range	250V - 750V	300V - 750V	350V - 750V
Number of MPP trackers/strings per MPP tracker	2/1	2/1	2/1
Max. input current/per string	9A / 9A	9A / 9A	10A / 10A
<b>Output (AC)</b>			
Rated AC output power	4000W	5000W	6000W
Max. AC apparent power	4000VA	5000VA	6000VA
Max. output current	6.4A	7.9A	9.3A
AC nominal voltage; range	230V/400V; 184 - 275V	230V/400V; 184 - 275V	230V/400V; 184 - 275V
AC grid frequency; range	50-60Hz; 44-55Hz/54-65Hz	50-60Hz; 44-55Hz/54-65Hz	50-60Hz; 44-55Hz/54-65Hz
Power factor at rated power	1	1	1
Displacement power factor configurable	0.8 leading -0.8lagging	0.8 leading -0.8lagging	0.8 leading -0.8lagging
THDi (@Full load &THDv<1%)	<3%	<3%	<3%
AC connection	3W+N+PE / 3W+PE(Opt)	3W+N+PE / 3W+PE(Opt)	3W+N+PE / 3W+PE(Opt)
<b>Efficiency</b>			
Max. efficiency	97%	97.4%	97.5%
Euro - eta	95.1%	96.3%	96.5%
MPPT efficiency	99.5%	99.5%	99.5%
<b>Protection Devices</b>			
DC reverse polarity protection	yes	yes	yes
DC switch	yes	yes	yes
Output AC overcurrent protection	yes	yes	yes
Output AC overvoltage protection - varistor	yes	yes	yes
Ground fault monitoring	yes	yes	yes
Grid monitoring	yes	yes	yes
Integrated all-pole sensitive leakage current monitoring unit	yes	yes	yes
<b>General Data</b>			
Dimensions (W / H / D)	433/566/195 mm	433/566/195 mm	433/566/195mm
Weight	30kg	31.1kg	31.1kg
Operating temperature range	-25 °C ... +60 °C	-25 °C ... +60 °C	-25 °C ... +60 °C
Noise emission (typical)	≤35 dB(A)	≤35 dB(A)	≤35 dB(A)
Self-Consumption (night)	< 0.5W	< 0.5W	< 0.5W
Topology	Transformerless	Transformerless	Transformerless
Cooling concept	Natural	Natural	Natural
Environmental Protection Rating	IP65	IP65	IP65
Altitude	2000m without derating	2000m without derating	2000m without derating
Relative Humidity	0~100%	0~100%	0~100%
<b>Features</b>			
DC connection	H4/MC4(opt)	H4/MC4(opt)	H4/MC4(opt)
AC connection	Screw terminal	Screw terminal	Screw terminal
Display	LCD	LCD	LCD
Interfaces: RS232/R485/ LAN/RF/WiFi/GPRS	yes / yes / opt / opt / opt / opt	yes / yes / opt / opt / opt / opt	yes / yes / opt / opt / opt / opt
Warranty:5 years / 10 years	yes / opt	yes / opt	yes / opt

#### Certificates and Approvals

CE, VDE0126-1-1, VDE-AR-N4105, IEC 62109-1/-2, C-tick, AS/NZS 3100, AS4777, EN61000-6-2 , EN61000-6-3, IEC61727, IEC62116, G83, EN50438